

Illustration - Type - E

3 603 K11 001
Issue | 22-05-19
Stand | **Fig./Abb. 1**

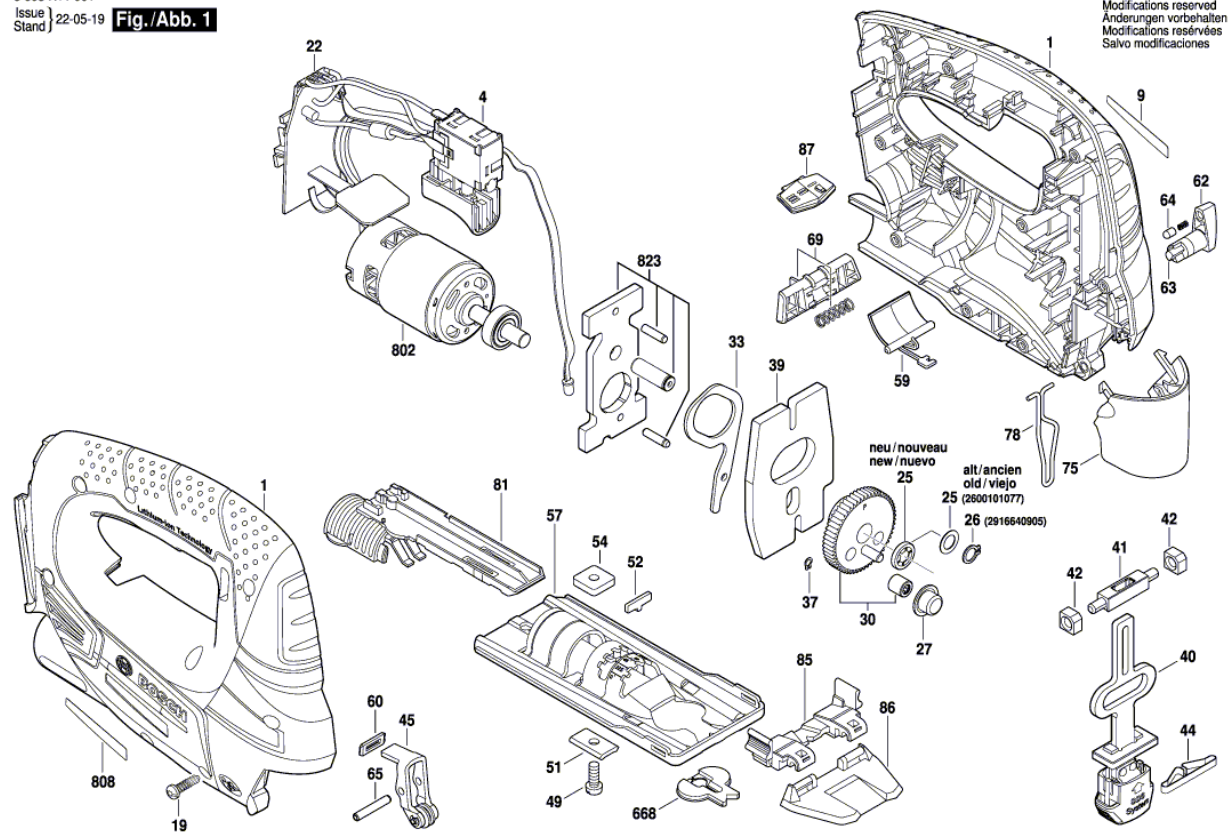
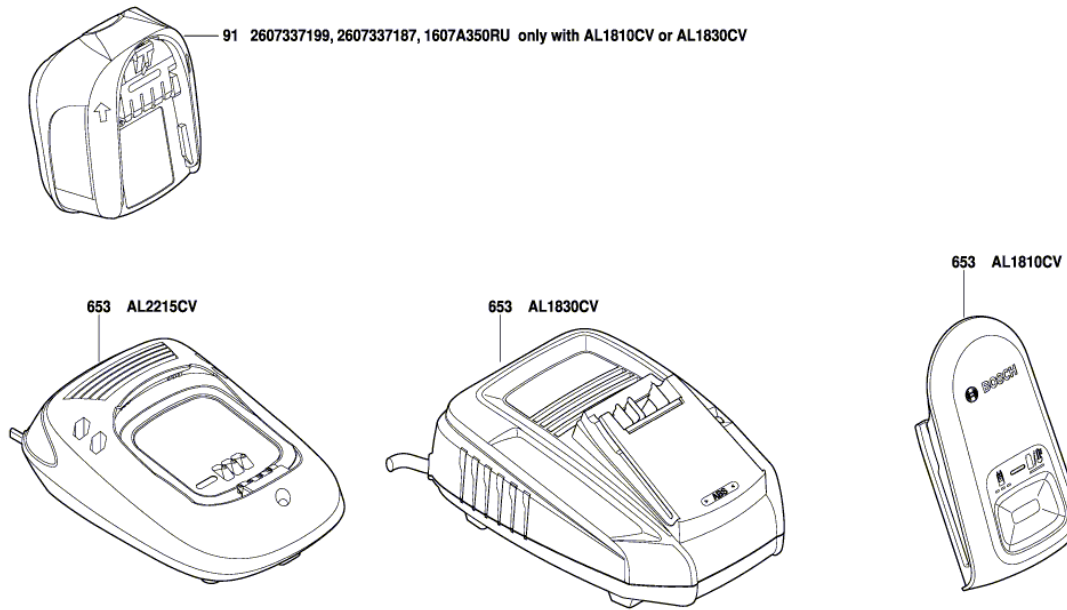


Illustration - Type - E

3 603 K11 001
Issue | 22-07-28
Stand | **Fig./Abb. 2**

Modifications reserved
Änderungen vorbehalten
Modifications réservées
Salvo modificaciones



Spare parts list

Item	Part Number	Description	Illustration
1	2 609 004 219	Housing	1
4	2 607 202 172	On-Off Switch	1
9	1 601 11A 150	Manufacturer's nameplate PST 18 LI	1
19	2 603 490 022	Screw 4x16	1
22	2 609 004 221	Printed Circuit Board	1
25	1 600 A02 3S8	Retaining Washer	1
27	2 600 914 022	Needle bearing	1
30	2 609 003 655	Eccentric Cog Wheel	1
33	2 609 003 444	Fork Lever	1
37	1 600 A00 8C6	Retaining Washer	1
39	2 609 003 452	Counterweight	1
40	2 609 003 490	Lifting Rod	1
41	2 609 003 638	Plain bearing	1
42	2 609 003 450	Insert	1
44	2 604 613 004	Compression Spring	1
45	2 609 001 608	Roller Lever	1
49	2 603 413 034	Socket head cap screw	1
51	2 602 317 052	Profile Beading	1
52	2 601 030 166	Adjusting Pin	1
54	2 600 040 003	fixing plate	1
57	2 609 004 368	base plate	1
59	2 609 004 225	Spring Plate	1
60	2 601 015 077	Sealing Plate	1
62	2 609 003 447	Change-Over Switch	1
63	2 609 003 508	Control Shaft	1
64	2 600 590 006	Ratchet Cap	1
65	2 609 002 725	Straight Pin	1
69	2 609 004 921	Lever	1
75	2 609 004 220	Covering hood	1
78	2 609 003 350	Protecting Cover BLACK	1
81	2 608 040 231	Saw Blade Depot	1
85	2 609 003 509	Support	1
86	2 609 003 510	Window	1
87	2 609 004 226	State-Of-Charge Indicator	1
668	2 601 016 065	Splintering Protector	1

Spare parts list

Item	Part Number	Description		Illustration
802	2 609 004 731	DC motor	18V	1
808	1 601 11A 2KU	Nameplate		1
823	2 609 004 583	Bearing Bracket		1
91	1 607 A35 0JM	Battery Pack	PBA 18V/1,5 Ah W-A	2
91	1 607 A35 0RU	Battery Pack	PBA 18V 2,5Ah W-B 45Wh	2
91	2 607 337 199	Battery Pack	PBA 18V 2,5 Ah W-B	2
653	2 607 225 965	Fast Charger 1h	EU AL 1830 CV 230/14,4-18V	2
653	2 607 225 967	Charger	GB AL 1830 CV 230/14,4-18V 1h	2
653	2 607 225 969	Charger	AUS AL 1830 CV 230/14,4-18V 1h	2
653	2 607 226 385	Fast Charger 1A	EU AL 1810 CV 230/14,4-18V	2
653	2 607 226 387	Fast Charger 1A	GB AL 1810 CV 230/14,4-18V	2